

PCB Terminal Block ▶ 745 Series

CAGE CLAMP® ▶ Actuation type: Operating tool ▶ 16 mm² ▶ Number of jumper slots: 1 ▶ Modular terminal block

Pin spacing: 10 mm (0.394 inch)

Pin spacing: 15 mm (0.591 inch)

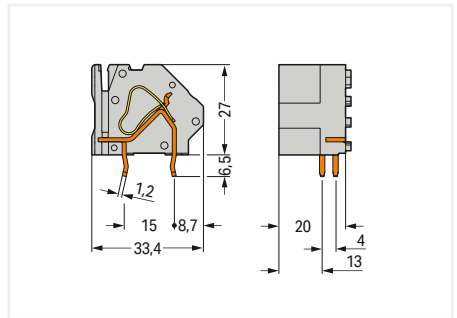
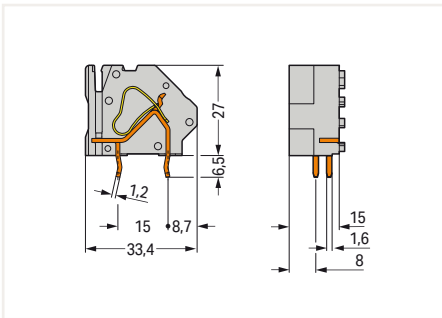
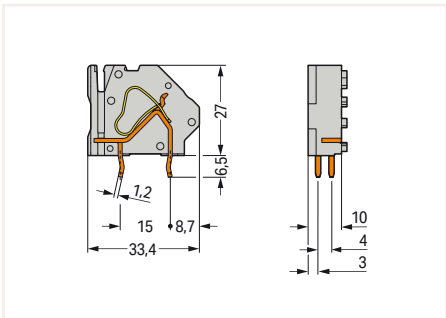
Pin spacing: 20 mm (0.787 inch)



Color	Item No.	PU (SPU)
gray	745-851/006-000	100 (100)
blue	745-854/006-000	100 (100)
light gray	745-853/006-000	100
green-yellow	745-857/006-000	100 (100)
light green	745-858/006-000	100

Color	Item No.	PU (SPU)
gray	745-871/006-000	100 (100)
blue	745-874/006-000	100 (100)
light gray	745-873/006-000	100 (100)
green-yellow	745-877/006-000	100 (100)
light green	745-878/006-000	100

Color	Item No.	PU (SPU)
gray	745-881/006-000	50 (50)
blue	745-884/006-000	50 (50)
light gray	745-883/006-000	50 (50)
green-yellow	745-887/006-000	50
light green	745-888/006-000	50



Accessories; for all products on this page



End plate; 1.7 mm; snap-on type		
Color	Item No.	PU (SPU)
gray	745-500	500 (100)



End plate; 10.5 mm; Screw mounting		
Color	Item No.	PU (SPU)
	745-540	200 (50)
	745-545	200 (50)

PU = Packaging Unit; SPU = Subpackaging Unit; Dimensions in mm

Other variants can be requested via the WAGO sales department or, if necessary, configured at <https://configurator.wago.com/>:

- Versions for Ex e II and Ex i
- Other colors
- Solder pin length: 5 mm